

champion.

54 + 56 series

MEDICAL RECLINERS/TRANSPORTERS



Shown with optional second side table and cup holder.

Patient comfort, ease of use, long life and dependability make our classic 54 and 56 Series referred to as the “work horse” recliners of the industry.

Engineered for your most demanding applications, including nocturnal use, the 54 and 56 Series are comfortable and dependable during long dialysis treatments. Durable five-inch casters, including a rear steering caster allow for smooth and easy transport.



All steel, powder-coated frame for durability. Z-spring construction for greater comfort.

STANDARD FEATURES

- Stationary arms
- Gray fold-away table (one)
- Retractable foot tray
- Push handle
- Wall-hugger mechanism (infinite recline positions)
- Quick-release seat
- 5” thermoplastic casters



Rear steering caster



Quick-release seat



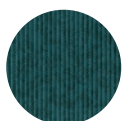
Wall-hugger recline mechanism

STANDARD VINYL SELECTION

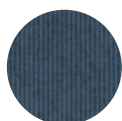
Printed color swatches may not be an exact match to actual fabrics and are enlarged to show detail



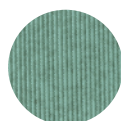
NATURAL
T09



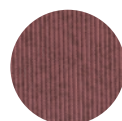
AQUAMARINE
T19



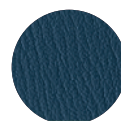
BONNIE BLUE
T21



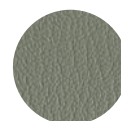
ICED MINT
T26



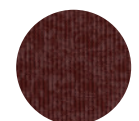
TEAROSE
T43



COLONIAL BLUE
T45



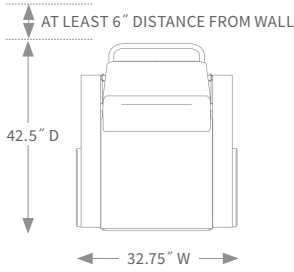
GRAY
T56



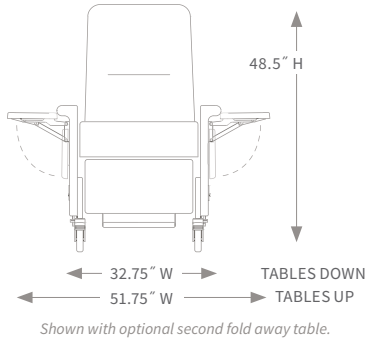
CRANBERRY
T96

SPACE REQUIREMENTS STANDARD MODEL

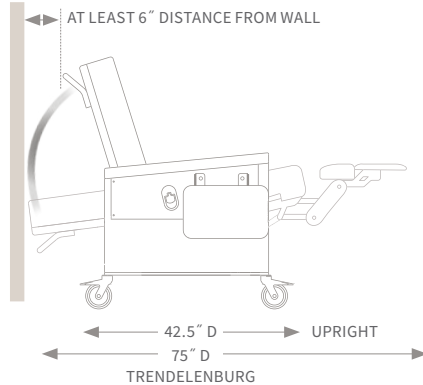
TOP VIEW



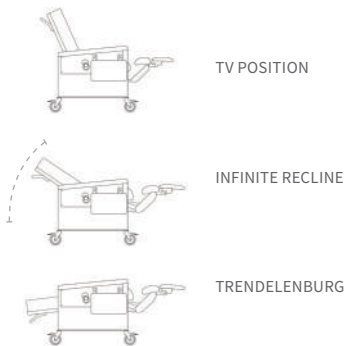
FRONT VIEW



SIDE VIEW



RECLINE POSITIONS



BODY OPTIONS

Trendelenburg	USB charging port
Break-away arm	Heat + massage
Additional gray fold-away table*	Heat only
Premium casters - Set of 4	Cup holder on the fold-away table(s)

◇ Additional charges apply.
*Not available with break-away arm option.



Heat system



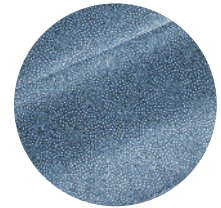
USB charging port



Break-away arm

COVERING UPGRADES

- Graded vinyl selections
- PVC-free material
- Customer's own material (COM)
- Silicone and Polyurethane



Graded vinyl selections

RECOMMENDED ACCESSORIES

- Head pillow/lumbar support
- Arm covers
- Head flap

For a full list of accessories, view our Accessories brochure, the Champion website, or ask your Champion representative for more information.



Head pillow

SPECIFICATIONS

	STANDARD MODEL NUMBER 54P 547	XL MODEL NUMBER 56P 566
Power recline	✓	✓
Manual recline		✓
Weight capacity	300 lbs.	500 lbs.
Back height (from floor/seat)	48.5"/28.5"	49.5"/29.5"
Overall width (two gray tables down/up)	32.75"/51.75"	36.5"/55.5"
Seat width	22.75"	26.75"
Seat height/depth	25.5"/19.5"	25.5"/20.5"
Arm height (from floor)	29.75"	29.75"
Overall upright depth/Trendelenburg depth	42.5"/75"	42.5"/76"
Thermoplastic casters (diameter)	5"	5"

champion.

Information contained in this literature is based on the latest product data available at the time of printing. Swatches are enlarged to show detail. Photography, artwork, text and specifications are subject to change. Photography may show optional items. Due to photographic and printing processes, product colors in this brochure are not necessarily accurate. Champion Manufacturing Inc. reserves the right to make changes to colors, materials, prices, standards, options, equipment and any specification at any time without notice or obligation. Contact Champion direct for additional information and the latest specifications.