

Freddy

Small but capacious easy to handle and upgradable



CART

Frequent usage

Emergency room

Resuscitation

Operating room

ICU





DRAWERS IN STEEL SHEETS, SLIDING ON GLIDES WITH SOFT CLOSE LOCKING SYSTEM.

Benefits



- Sturdy and with sheets in stainless steel painted with thermosetting paint.
- Accessories in stainless material.
- Single body structure and self-supporting.
- Thanks to its small size it is easy to handle even in narrow places.
- Despite its small size it is actually very capacious.
- Swivable wheels with sliding system for easy driving.
- The cart is upgradable with a wide range of accessories that can be placed on the DIN bars located on 3 sides.
- Push and pull extra tray.
- User friendly:
 - 3 different drawers configuration;
 - available up to 7 drawers;
 - the accessories can be changed or removed without any tools.
- Anti-tilting structure.
- Table top made in plastic material without sharp edges for easy cleaning and disinfection.
- Drawers in steel sheets, sliding on glides with soft close locking system.
- Drawers centralized locking system.
- Glides can support up to 30 kg.

Standard configuration



- First drawer provided with guarantee seal.
- No. 10 self-destructing seals.
- No. 3 lateral DIN bars.
- No. 1 back DIN bar.
- Centralized locking system with key.
- Double key.
- No. 4 swivable and stainless 125 mm wheels of which 2 with pedal brake. No marking, extremely silent, sliding on high performing roller bearing.
- No. 4 bumpers for each corner of the base.
- Push and pull extra tray.
- Table top with integrated push handle.



Recommended accessories

Emergency kit composed by the following accessories:

- 1 Cod. ACCF1 - IV pole
- 2 Cod. ACCF9 - Needles rack
- 3 Cod. ACCF10 - Defibrillator or monitor tray
- 4 Cod. ACCF5 - Hoxxygen tank holder
- 5 Cod. ACCF11 - Resuscitation board



Recommended accessories



ACCF1



IV pole

ACCF2



Trash bin

ACCF3



Manual hand sanitizer

ACCF4



Automatic hand sanitizer

ACCF5



Hoxigen tank holder

ACCF6



Defibrillator or monitor trays



Recommended accessories

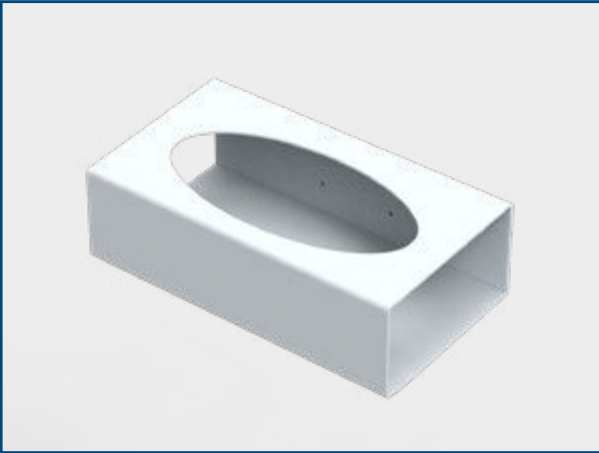


ACCF7



Bottle rack

ACCF8



Case for gloves

ACCF9



Needles rack

ACCF10



Defibrillator or monitor tray

ACCF11



Resuscitation board

ACCF12



Guarantee seal



Recommended accessories



ACCF13



Guarantee seal with serial number

ACCF14



Assemblable drawers cabinet

ACCF15



Drawer dividers: ACCF15/1 - 10 compartments; ACCF15/2 - 15 compartments; ACCF15/3 - 20 compartments; ACCF15/4 - 25 compartments

ACCF16



Centralized and sealable locking



Available drawer's configuration



3 drawers

dimensions 42x37,8x7,8h;

2 drawers

dimensions 42x37,8x15,8h;

1 drawer

dimension 42x37,8x23,7h;

GB0320.SP-1

Drawer's configuration 3+2+1



1 drawer

dimension 42x37,8x7,8h;

3 drawers

dimensions 42x37,8x15,8h;

1 drawer

dimension 42x37,8x23,7h;

GB0320.SP-2

Drawer's configuration 1+3+1



2 drawers

dimensions 42x37,8x7,8h;

1 drawer

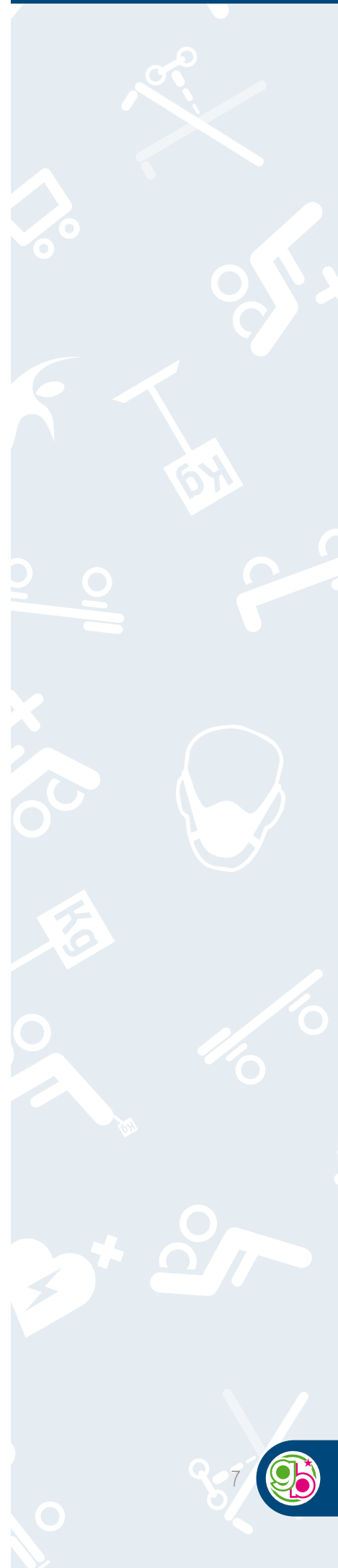
dimension 42x37,8x15,8h;

2 drawers

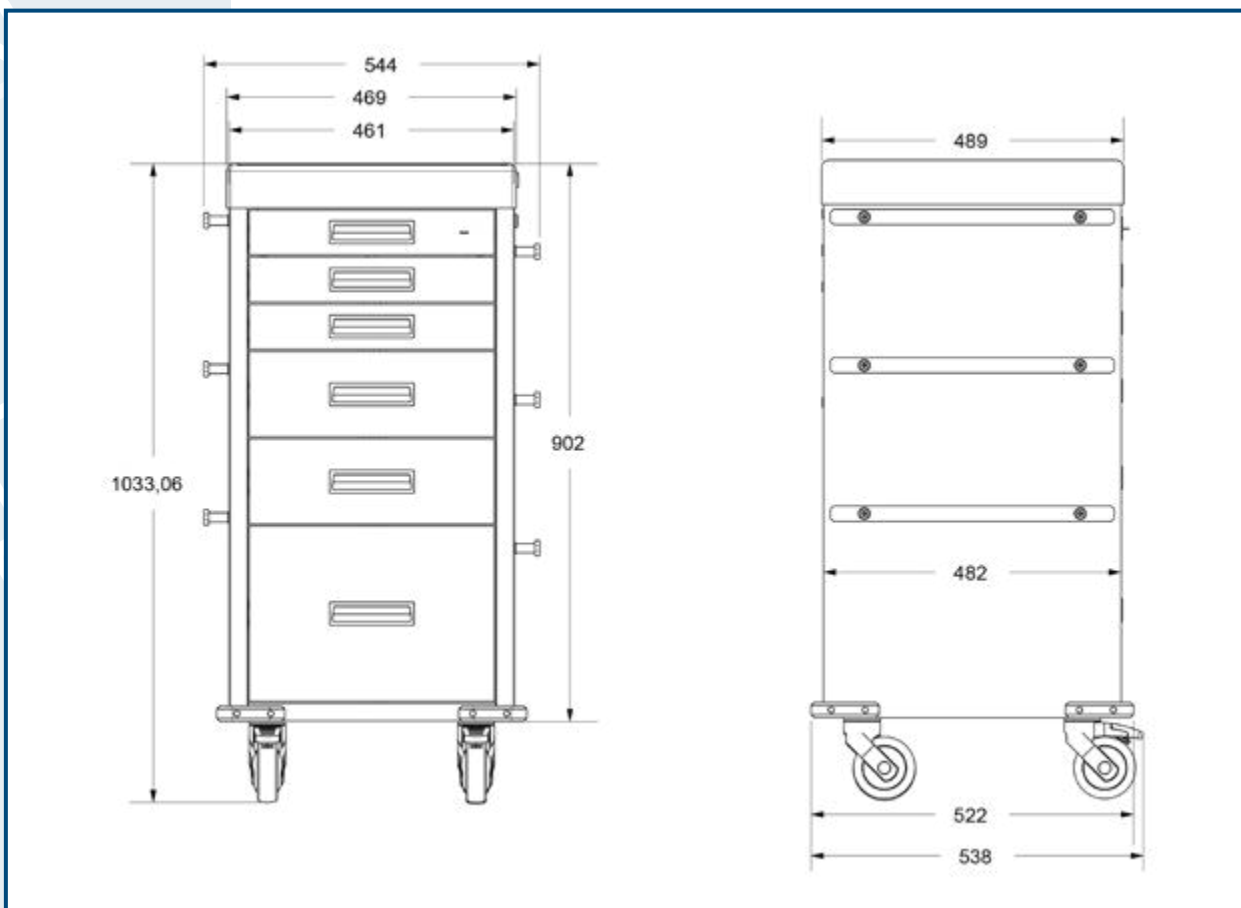
dimensions 42x37,8x23,7h;

GB0320.SP-3

Drawer's configuration 2+1+2



Dimensions



Technical data

OFFICIAL DISTRIBUTOR IN AUSTRALIA:



Unit 4/62 Borthwick Ave,
Murarrie QLD 4172 (Australia)

Tel: 1300.643.633
sales@midmed.com.au
www.midmed.com.au

Codice GMDN	46978
ID Code	GB0320.SP-1 GB0320.SP-2 GB0320.SP-3
Intended use	Emergency cart
Manufacturer	GARDHEN BILANCE SRL
Configuration 3+2+1 (standard)	3 drawers 42x37.8x7.8h cm 2 drawers 42x37.8x15.8h cm 1 drawer 42x37.8x23.7h cm
Configuration 1+3+1	1 drawer 42x37.8x7.8h cm 3 drawers 42x37.8x15.8h cm 1 drawer 42x37.8x23.7h cm
Configuration 2+1+2	2 drawers 42x37.8x7.8h cm 1 drawer 42x37.8x15.8h cm 2 drawers 42x37.8x23.7h cm

For certifications please refer to "Certifications and Quality system" section

Pictures contained in this brochure is for illustrative purpose only. The manufacturer reserves the right to modify the projects without notice. For accessories identification please refer to the accessory catalogue or commercial offer. When data are different please refer to commercial offer.

Dep. EN_144 rev. 28/06/2022