

BARI-LIFT & TRANSFER™

Functional –

The ergonomic alternative to manual lifting.



BEDSIDE PORTABLE LIFT

PRECAUTION

Preserving

the safety

& dignity

PREVENTION

of patients

& caregivers

alike

PROTECTION

COMFORT

Durable multi-sized slings have varied recline positioning for patient security, with or without commode option.

CARE

Safely lift & transfer patients, even from the floor position. Scale available for accurate patient weights.

CONVENIENCE

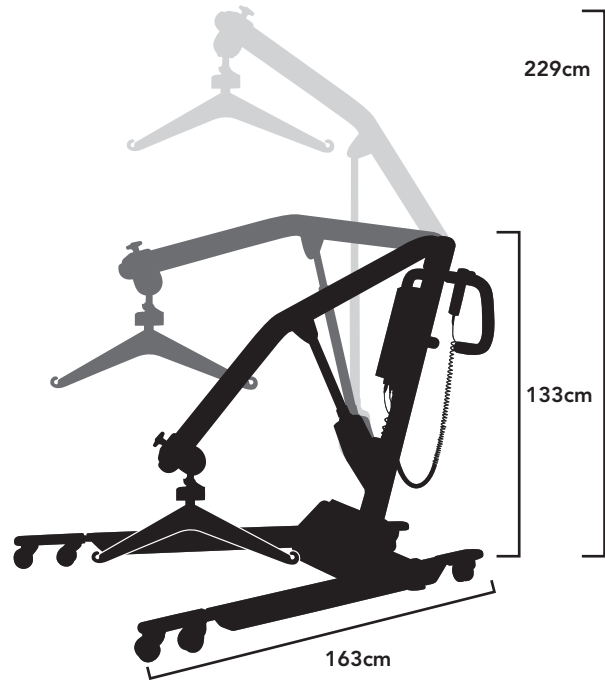
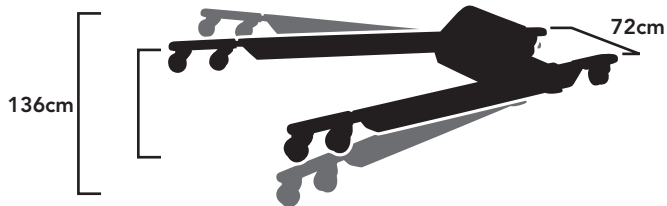
Fully electric & portable with weight capacity up to 455 kg. Overhead & Bedside styles available.



BARI-LIFT & TRANSFER™ BEDSIDE LIFT

PRODUCT SPECIFICATIONS

Length.....	162.5 cm
Width.....	72 cm
Height.....	133 - 230 cm
Weight Capacity.....	455 kg
Product Weight.....	99 kg
Battery.....	24 volt rechargeable
Emergency Release.....	Yes
Options.....	Scale Available, Commode and Non-commode Slings in 2 sizes



**MADE
IN THE USA**