

Stephen H Comfort 3.0

Designed for the prevention of cross-infection



CHAIR

Frequent usage

Chemotherapy

Infusions Therapy

Day Hospital

Blood donor

Blood samples

Emergency

Dialysis

Patient's transport

Dermatology / Cosmetics

Multifunctional



**BILATERAL HANDSET SUPPORT
EQUIPMENT CODE AC25P**



EASY ACCESS

Benefits



- Anti-tilt frame, it prevents any tilt in every operative conditions.
- Frame painted with epoxy paints enriched with antibacterial. Available in a wide range of colours.
- Simultaneous movement of the back section and the leg section through 2 motor; it can be implemented up to 3 motors according to the requested configuration:
 - Motorized column for height adjustment (accessory code AC28/200).
 - Motor for the inclination of the seat (accessory code AC35/1 - AC35/2 - AC35/3).
 - Motor for footrest adjustment (accessory code AC13 - AC13/1).
- Two separate cushions for back and seat/leg, functional for a perfect ergonomomy and posture preventing decubitus wounds.
- The upholstery allowing a thorough and effective sanitization reducing the risks of cross infections. A wide range of colours is available.
- Upholstery's features: antibacterial, flame retardant class 11M, antimycotic, ecologic, latex free, phtalate free and resistant.
- Armrest's movements synchronized with the backrest.
- Available with a wide range of functional and exclusive accessories (see accessories catalogue).
- Excellent and ergonomic posture with decubitus wound preventive effect.
- Braking system ensures high stability to the device.
- Easily sanitizable with the most common used detergents.
- Armrest with multiple adjustment functions.
- Max load capacity 200 kg (standard version), available even with a max load capacity of 300 kg (bariatric version).



Would you like to customize upholstery or frame?

Scan or click the QR code and discover how to customize the device consulting our colour chart.



Standard features

- Painted steel frame in thermosetting powder.
- Lying surface divided in 3 sections: backrest, seat and leg.
- Simultaneous movement of the back section and the leg section through 2 motor - Equipment code AC12.
- 10° Trendelenburg position (Shock position as alternative).
- Armrest's movements synchronized with the backrest. The armrests are completely removable and can be rotate, tilted and overturned at 90°; (please refer to the accessories catalogue for other version of armrests) - Equipment code AC30/C1.
- No. 4 wheels Ø 100 mm antistatic, sturdy, stainless and swivable.
- Simultaneous brake on rear wheels in chromed steel - Equipment code AC7P1G.
- Chair's movements are controlled by handset with a 3,5 mtl coiled cable. The handset is user friendly and has visual pictograms useful for partially sighted people. Handset is equipped by 10 buttons with 2 memories. For patient's safety purpose the handset is provided with an inhibition key - Equipment code AC34P. Insulation IP66.
- Bilateral handset support - Equipment code AC25P.
- ABS base cover - Equipment code AC83.
- ABS seat cover - Equipment code AC84C.
- ABS leg cover - Equipment code AC85C.
- ABS backrest cover - Equipment code AC86C.
- Cushions made in soft foam.
- Upholstery: with anti-bacterial properties, flame retardant class 11M, antimicrobial, ecologic, latex free, phtalate free. Resistant to: alcohol, sodium hypochlorite max 5%, a wide range of common used detergent, liquid and other biological fluids. - Equipment code AC87/1.



**10 BUTTONS HANDSET
WITH 2 MEMORY FUNCTION**



**ARMRESTS MOVEMENT IS
SYNCHRONIZED WITH THE BACKREST**

Armrest's movement



**SYNCHRONIZED WITH
THE BACKREST**



ROTATION



ADJUSTABLE HEIGHT



DETACHABLE ARMREST:

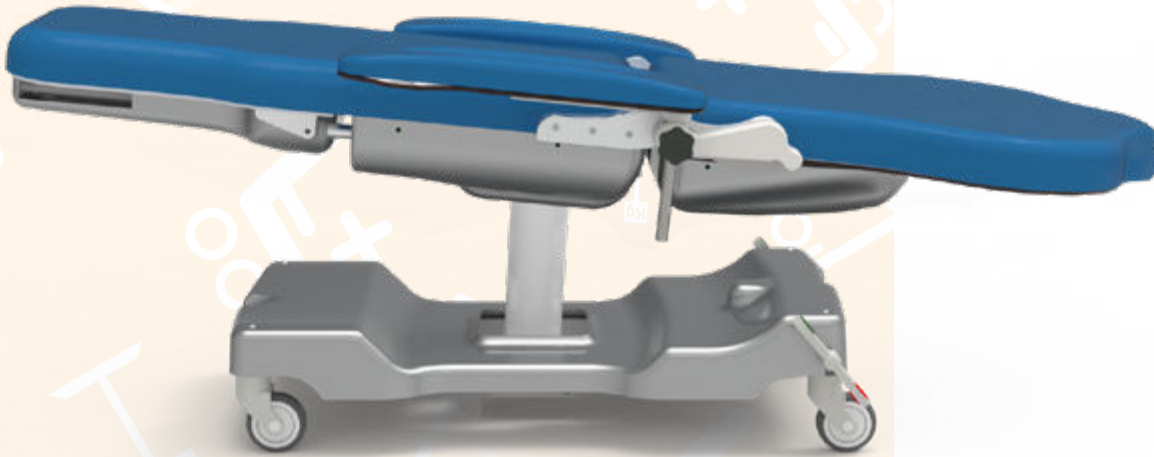


OVERTURNABLE

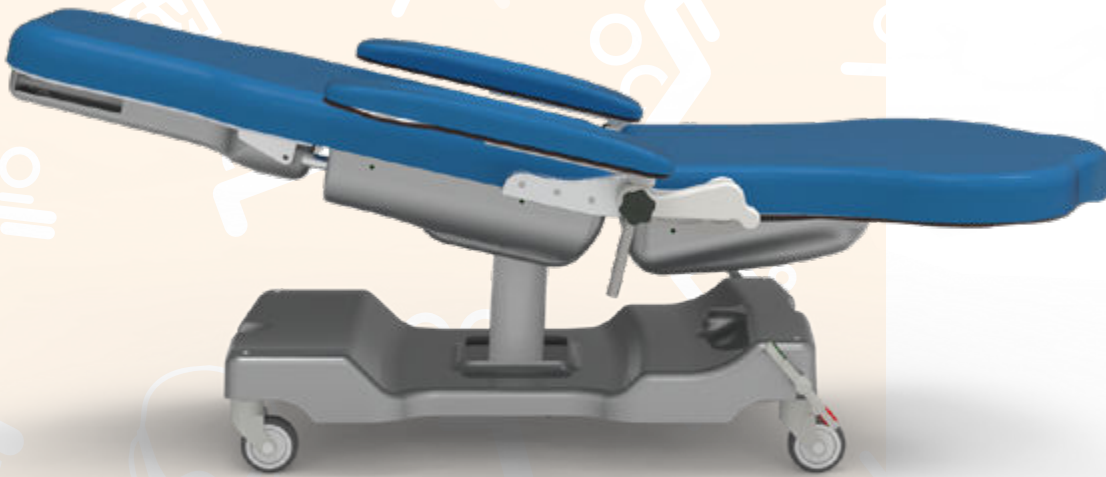


TILTABLE

Movements



TRENDELENBURG



SHOCK POSITION



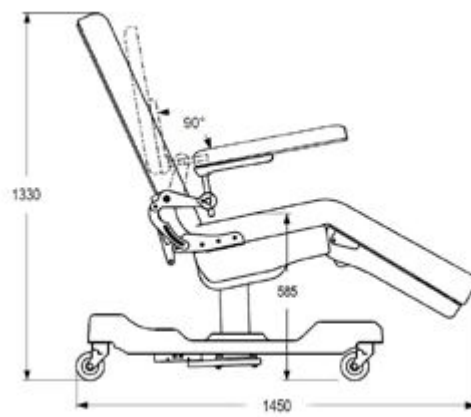
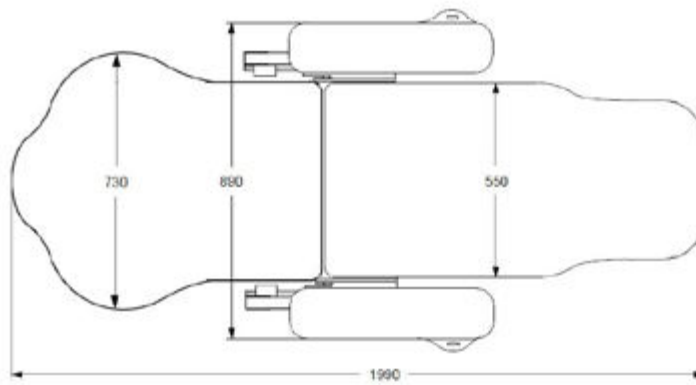
RECLINER POSITION



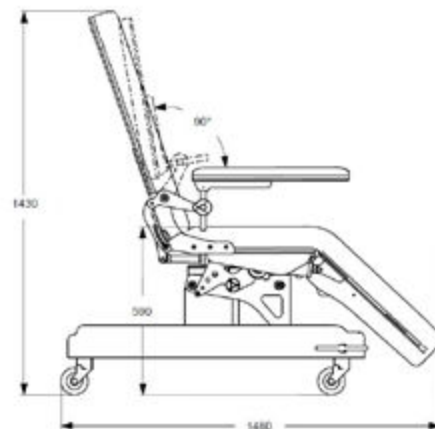
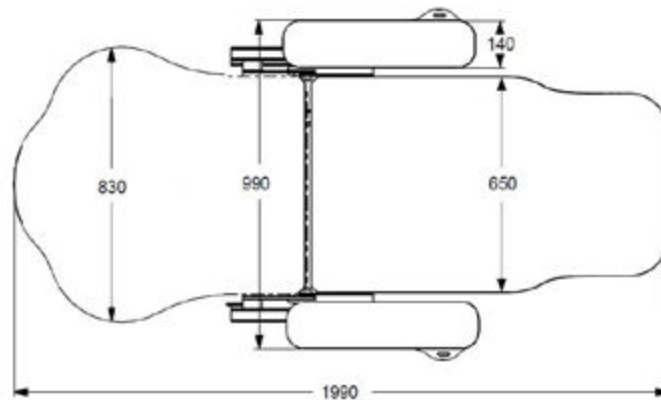
Dimensions



Standard version



Bariatric version



MAIN CORD



Type F - Schuko



Type L - 16A



Type I - Australia

Type B - Canada
and USA

Type G - UK plug

Technical sheet



GMDN Code	38447
ID Code	GB0004.BP-3 Painted steel GB0004.BS-3 Stainless GB0004.SP-3 Painted steel GB0004.SS-3 Stainless
Inteded use	Multifunctional chair
Manufacturer	GARDHEN BALANCE SRL
Overall weight	Standard 70 kg / Bariatric 100 kg
Wheels	No.4 ø 100mm swivable and stainless with braking system
Power	100 - 240 Vac 50/60 Hz
Electric motors	Low voltage 24 (Volt)
Max electrical input	4A
Insulation	IP44
Max load	Standard 200 kg / Bariatric 300 kg
Safety working load	Standard 235 kg / Bariatric 335 kg
Backrest angle	76° (customizable upon request)
Leg angle	45° (customizable upon request)

For certifications please refer to "Certifications and Quality system" section

Pictures contained in this brochure is for illustrative purpose only. The manufacturer reserves the right to modify the projects without notice. For accessories identification please refer to the accessory catalogue or commercial offer. When data are different please refer to commercial offer.

Dep. EN_205 rev. 06/07/2022

