

Stephen H Comfort 6.0

Multifunctional chair



CHAIR

Frequent usage

- Multifunctional
- Infusion therapy
- Day Hospital
- Blood samples
- Blood donor
- Emergency
- Dialysis
- Patient's transport
- Dermatology / Cosmetics



Benefits



- Anti-tilt frame, it prevents any tilt in every operative conditions.
- Electric low voltage motors.
- The chair is expressly designed to help the patient to easily seat on the chair. Thanks to the option to place the legrest at 90° the access will be easy also for patient with reduced mobility.
- The chair can be equipped with a wide range of accessories.
- The upholstery can be completely sanitized, in order to prevent cross infections, with most common detergents.
- Lying surface in seamless soft foam cushions. The cushions are designed to prevent decubitus wounds.
- Upholstery's features: antibacterial, flame retardant class 11M, antimycotic, ecologic, latex free, phtalate free and resistant.
- Directional braking system ensures high stability to the device.
- Max. load capacity 200 kg.



Standard features

- Lying surface divided in 3 sections: backrest, seat and leg.
- Painted steel frame in thermosetting and antibacterial powders. Wide range of colours at page 6.
- Trendlenburg position at 10° (shock position in alternative).
- Two motors allow to move the back section and the leg section independently and simultaneously - Equipment code AC12.
- Leg section: 90° to the seat - Equipment code AC63.
- The armrests are padded and upholstered in soft fabric.
- Armrests' movements are synchronized with the backrest.
- The armrests can be removed, tilted, adjusted in height, overturned and they can also slide horizontally - Equipment code AC30/C2.
- Leatherette upholstery, elastic, extremely comfortable and completely seamless. The latter feature prevents bacteria proliferation. It can be easily sanitized with the most common detergents. The upholstery is also flame retardant and complies with UNI 9175/87 e 9175FA-1/94 class 11M (wide range of colours at page 6) - Equipment code AC87/1.
- No. 4 wheels Ø 100 mm antistatic, sturdy, stainless and swivable.
- Directional braking system - Equipment code AC7P1G.
- Chair's movements are controlled by handset with a 3,5 mtl coiled cable. The handset is user friendly and has visual pictograms useful for partially sighted people. Handset is equipped by 10 buttons with 2 memories. For patient's safety purpose the handset is provided with an inhibition key - Equipment code AC34P. Insulation IP66.
- Handset support - Equipment code AC25P.
- Soft foam cushions.
- HPL panels couple - Equipment code AC49.
- ABS cover for the back section - Equipment code AC86C.



HANDSET WITH 10 BUTTONS AND 2 MEMORY FUNCTIONS



Would you like to customize upholstery or frame?

Scan or click the QR code and discover how to customize the device consulting our colour chart.



Armrests' movements



■ FIG. 1/2 - SYNCHRONIZED WITH THE BACKREST



■ FIG. 5 - REMOVABLE



■ FIG. 6 - OVERTURNING FOR EASY ACCESS



■ FIG. 3 - SWIVABLE



■ FIG. 4 - HEIGHT ADJUSTMENT



■ FIG. 7 - TILTABLE



■ FIG. 8 - HORIZONTAL SLIDING FUNCTION

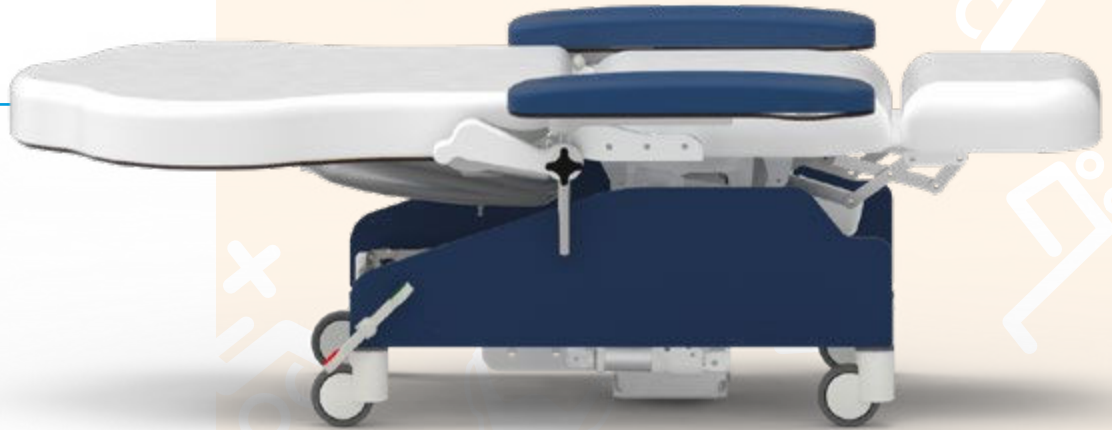


Movements

TRENDELENBURG



CLINOSTATIC



RECLINER



Recommended accessories



AC4P



Swivable IV pole adjustable in height. Made out of stainless steel. Available with 2 or 4 hooks.

AC11/C



Paper roll holder for Stephen H Comfort. Suitable for paper rolls up to 600 mm Ø 140 mm.

AC153



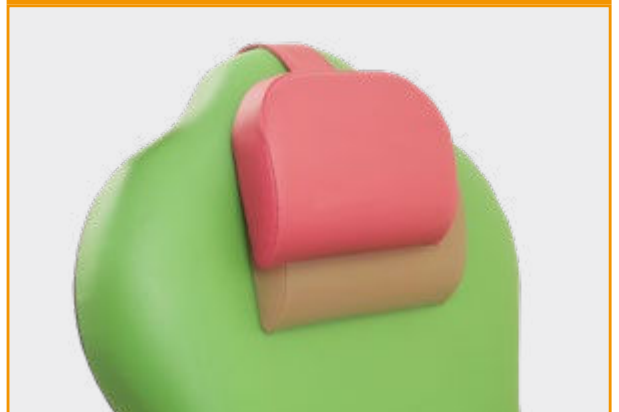
Integrated footrest with automatic braking system.

AC14P



Stainless steel toolrest, swivel and adjustable in height, on accessories pole. Size 250x120x60h mm (customizable upon request).

AC27



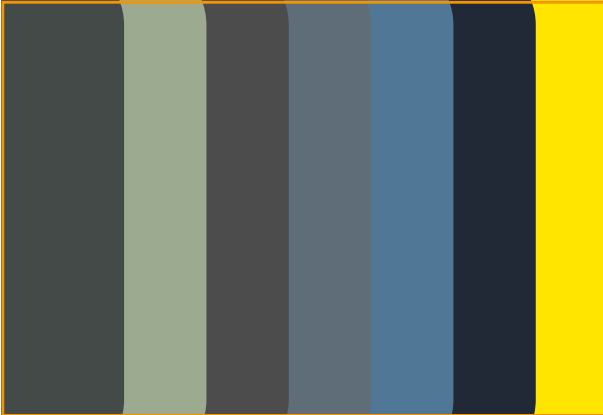
Supplementary headrest adjustable in height. Made out in expanded foam and antibacterial upholstery.



Recommended accessories



AC87



Siliconic upholstery. Please refer to the colour chart.

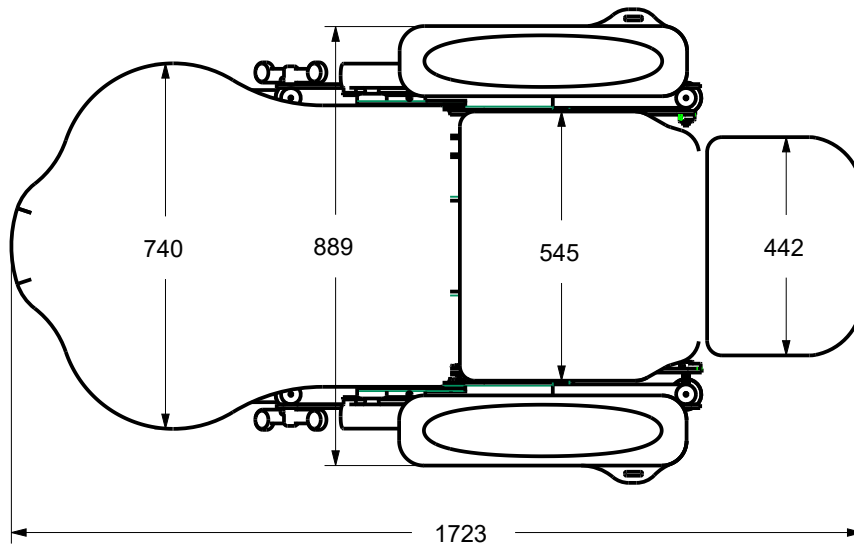
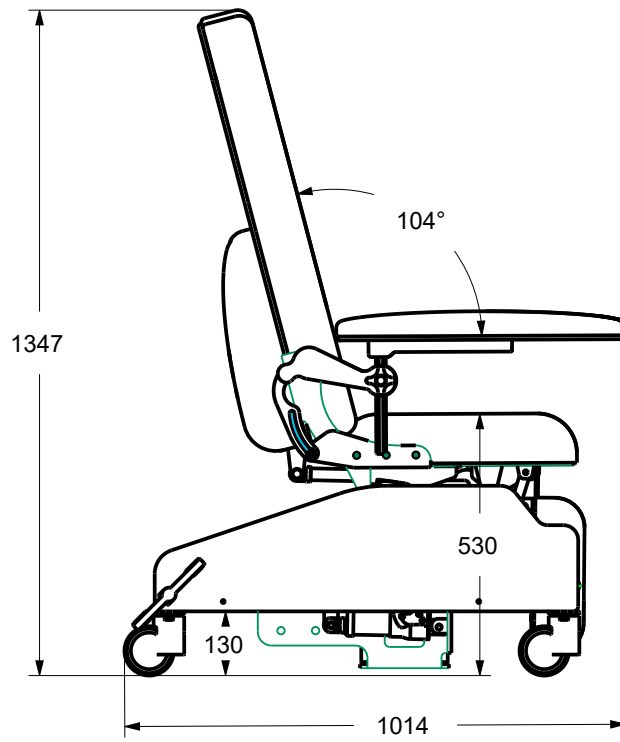


Would you improve this device?

Scan the QR code to find out all the available accessories on the catalogue.



Dimensions



Technical sheet

GMDN Code	38447
ID Code	GB0004.SP-6 Painted steel
Intended use	Multifunctional chair
Manufacturer	GARDHEN BILANCE SRL
Overall weight	70 kg
Wheels	Nr.4 swivable wheels 100 mm, stainless with braking system
Power	100 - 240 Vac 50/60 Hz
Electric motors	Low voltage (24 V)
Max electrical input	4A
Insulation	IP44
Max load	200 kg
Safety working load	235 kg
Backrest angle	76° (customizable upon request)
Leg angle	45° (customizable upon request)

MAIN CORD



Type F - Schuko



Type L - 16A



Type I - Australia



Type B - Canada and USA



Type G - UK plug

OFFICIAL DISTRIBUTOR IN AUSTRALIA:



Unit 4/62 Borthwick Ave,
Murarrie QLD 4172 (Australia)

Tel: 1300.643.633
sales@midmed.com.au
www.midmed.com.au

For certifications please refer to "Certifications and Quality system" section

Pictures contained in this brochure is for illustrative purpose only. The manufacturer reserves the right to modify the projects without notice. For accessories identification please refer to the accessory catalogue or commercial offer. When data are different please refer to commercial offer.

Dep. EN_16 rev. 27/06/2022

