

# Stephen H Flat – Standard

Essential design



## CHAIR

### Frequent usage

Chemotherapy

Infusions Therapy

Day Hospital

Blood donor

Blood samples

Emergency

Dialysis

Patient's transport

Dermatology / Cosmetics

Multifunctional





ARMRESTS MOVEMENT IS SYNCHRONIZED WITH THE BACKREST

## Benefits

- Anti-tilt frame, it prevents any tilt in every operative conditions.
- Frame painted with epoxy paints enriched with antibacterial. Available in a wide range of colours.
- Simultaneous movement of back and leg section through 1 motor; it can be implemented with 2 up to 5 motors according to the requested configuration:
  - Dedicated motor for the independent movement of the backrest and the legrest (accessory code AC12).
  - Motorized column for height adjustment (accessory code AC28).
  - Dedicated motor for the inclination of the seat (accessory codes AC35/1 - AC35/2 - AC35/3).
  - Dedicated motor for footrest adjustment (accessory code AC13 - AC13/1); (please refer to the commercial offer and the accessory catalogue).
- Three separate cushions for back, seat and leg functional for a perfect ergonomy and posture preventing decubitus wounds.
- The upholstery is completely removable allowing a thorough and effective sanitization reducing the risks of cross infections. A wide range of colours is available.
- Upholstery's features: antibacterial, flame retardant class IIM, antimycotic, ecologic, latex free, phtalate free and resistant.
- Armrest's movements synchronized with the backrest.
- Available with a wide range of functional and exclusive accessories (see accessories catalogue).
- Excellent and ergonomic posture with decubitus wound preventive effect.
- Braking system ensures high stability to the device.
- Easily sanitizable with the most common used detergents.
- Armrest with multiple adjusment functions.
- Max load capacity 200kg.

THE CUSHIONS ARE FULLY REMOVABLE ALLOWING AN EASY SANITIZATION OF THE DEVICE. SURFACE IN NON-POROUS HPL PANELS.



**Would you like to customize upholstery or frame?**

Scan or click the QR code and discover how to customize the device consulting our colour chart.



## Standard features

- Painted steel frame in thermosetting powder.
- Lying surface divided in 4 sections (headrest, backrest, seat and leg).
- Simultaneous movement of the back section and the leg section through 1 motor.
- 10° Trendelenburg position (shock position as alternative).
- Headrest joint to the backrest.
- Armrest's movements synchronized with the backrest. The armrests are completely removable and can be rotate, tilted and overturned at 90°; (please refer to the accessories catalogue for other version of armrests).
- No. 4 wheels Ø 100mm antistatic, sturdy, stainless and swivable.
- Simultaneous brake on rear wheels in chromed steel - Equipment code AC7P1G.
- Chair's movements are controlled by handset with a 3,5 mtl coiled cable. The handset is user friendly and has visual pictograms useful for partially sighted people. Handset is equipped by 10 buttons with 2 memories. For patient's safety purpose the handset is provided with an inhibition key - Equipment code AC34P. Insulation IP66.
- Bilateral handset support - Equipment code AC25P.
- ABS base cover - Equipment code AC83.
- ABS seat cover - Equipment code AC84.
- Easily removable soft foam independent cushions.
- Upholstery: with anti-bacterial properties, flame retardant class 11M, antimicrobial, ecologic, latex free, phthalate free. Resistant to: alcohol, sodium hypochlorite max 5%, a wide range of common used detergent, liquid and other biological fluids. - Equipment code AC87/1.



**10 BUTTONS HANDSET  
WITH 2 MEMORY FUNCTION**

## Armrests' movements



**ROTATION**



**TILTABLE**

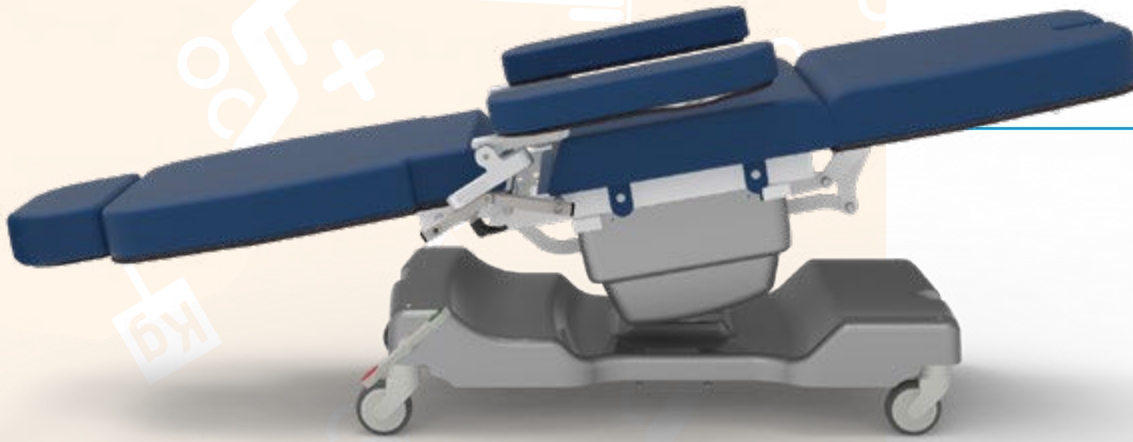


**OVERTURNABLE**



**JOINTLY TO THE BACKREST**

## Movements



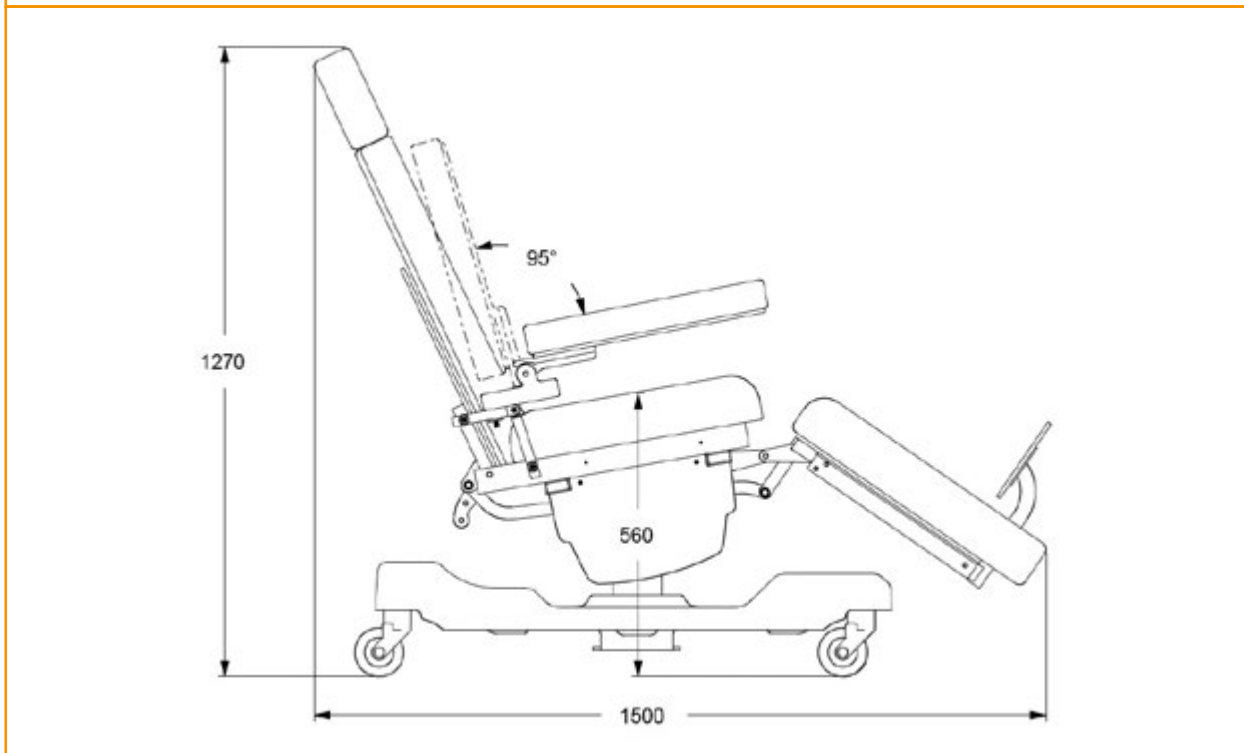
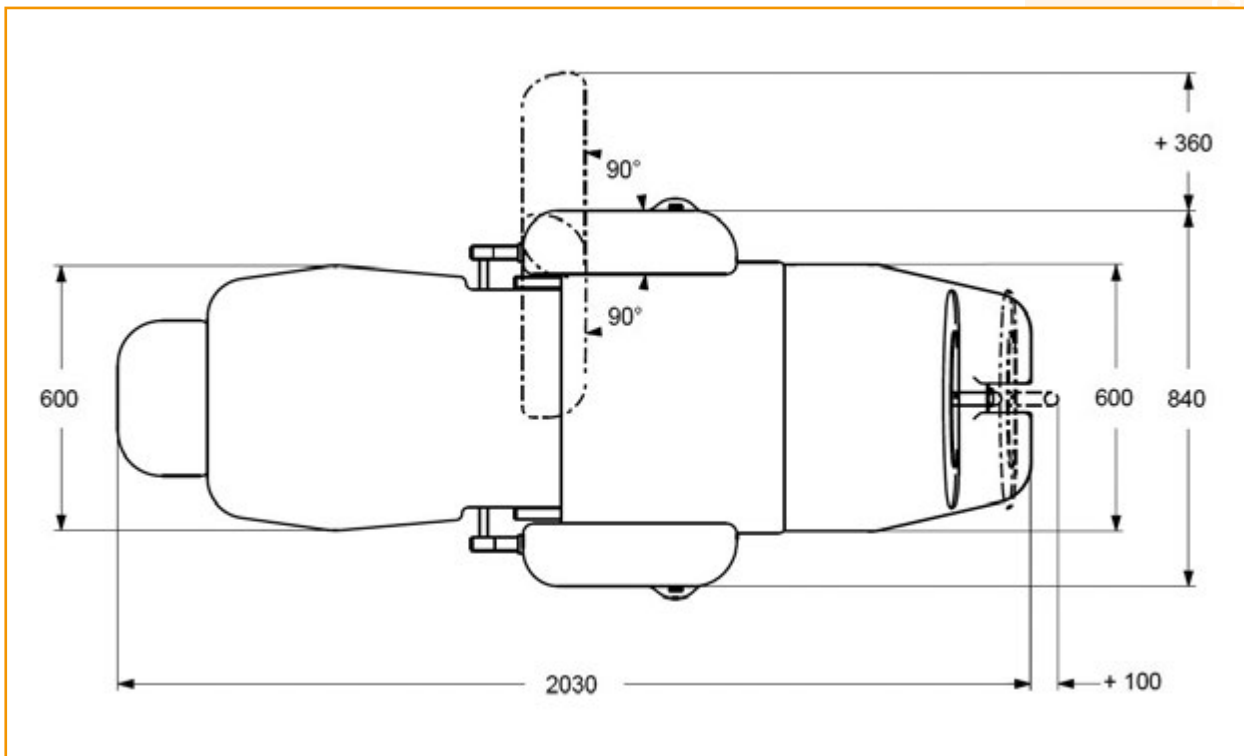
TRENDELENBURG



RECLINER POSITION



## Dimensions



## MAIN CORD



Type F - Schuko



Type L - 16A



Type I - Australia

Type B - Canada  
and USA

Type G - UK plug

## Technical sheet



GMDN Code	<b>38447</b>
ID Code	<b>GB0002.SP</b> Painted steel <b>GB0002.SS</b> Stainless
Inteded use	Multifunctional chair
Manufacturer	GARDHEN BILANCE SRL
Overall weight	70 kg
Wheels	No. 4 Ø 100 mm swivable and stainless with braking system
Power	100 - 240 Vac 50/60 Hz
Electric motors	Low voltage 24 (Volt)
Max electrical input	4A
Insulation	IP44
Max load	200 kg
Safety working load	235 kg
Backrest angle	76° (customizable upon request)
Leg angle	45° (customizable upon request)

OFFICIAL DISTRIBUTOR IN AUSTRALIA:

Unit 4/62 Borthwick Ave,  
Murarrie QLD 4172 (Australia)

Tel: 1300.643.633

sales@midmed.com.au

www.midmed.com.au

For certifications please refer to "Certifications and Quality system" section

Pictures contained in this brochure is for illustrative purpose only. The manufacturer reserves the right to modify the projects without notice. For accessories identification please refer to the accessory catalogue or commercial offer. When data are different please refer to commercial offer.

Dep. EN\_82 rev. 06/07/2022

