

# Theia 1.0

Italian design and technology in the world



## CHAIR

### Frequent usage

Minor Surgery

Oftalmic Surgery

**HIGH  
BACKREST  
VERSION**

**LOW  
BACKREST  
VERSION**





ENTRY POSITION ACHIEVABLE THROUGH MEMORY BUTTONS LOCATED ON THE CONTROL PANEL. REDUCING THE HEIGHT TO ITS MINIMUM ALLOWS AN EASY ENTRANCE ALSO TO PATIENT WITH REDUCED MOBILITY.



EASY AND COMFORTABLE EGRESS FOR PATIENT WITH REDUCED MOBILITY. IT CAN BE ACHIEVED THROUGH THE MEMORY BUTTONS ON THE CONTROL PANEL.

## Benefits



- Available in 2 versions, with high and low backrest.
- Multifunctional surgery chair with high stability. It can be used for a wide range of surgical interventions.
- Frame with a reduced footprint. It allows an easy approach to the device.
- Extremely resistant base in stainless steel. Easy to sanitize with most commonly used detergents.
- Thermoformed covers to protect the frame and drives.
- Lying surface in expanded foam with high density.
- Seamless upholstery made out of carefully selected fabric with antibacterial, water resistant and non-toxic. Upholstery's features as follows: antibacterial, flame retardant class 11M, antimycotic, ecologic, latex free, phtalate free and resistant.
- Minimum height (605 mm, minimum value compared to market standards) makes it easy for any patient to access even to people with reduced mobility.
- Assisted egress position helping people with reduced mobility.
- Independent movement for the best postural adjustment.
- The armrests are synchornized with backrest's movement. They can be rotated outward, overturned and removed.
- No wear parts.
- The device can be equipped with a wide range of accessories according to surgeon's needs.
- Anti-schock position.
- H24 operativity without connection to the electrical grid.
- Max load capacity 300kg



## Standard features

- Lying surface divided in 4 sections with double articulation divided in: headrest, backrest, seat and leg.
- Motorized backrest.
- Motorized legrest.
- Height adjustable through motorized columns.
- Motorized Trendelenburg.
- Headrest available from the following: ACS1, ACS2, ACS3, ACS4, ACS4/1; pediatric models ACS1P, ACS2P, ACS3P are also available. In the absence of preferences the code ACS1 will be provided. All headrests are described and illustrated on p. 14.
- Special coating without seams or interstices, made with carefully selected technological material with the following properties: water repellent, non-toxic, antibacterial, antifungal, antistatic, ecological, latex free, without phthalates. Ultra-resistant coating to: alcohol, hydrogen peroxide, sodium hypochlorite (5%), commonly used disinfectants, liquids and physiological substances. Fireproof eco-leather UNI 9175/87 and 9175FA-1/94 class 1M. (equipment code AC87 / 1).
- Upholstery in black fabric (other colours available - download colours chart via QR code at the bottom of this page). Upholstery divided into 2 separate sections, one for the back section and the other for the seat / leg sections. The operating table is also available with a single seamless cover (accessory code ACS27).
- Movements are entirely controlled by the control panel (standard equipment) and/or foot controls (accessory - see page 13).
- Low voltage 4000N motors.
- Multi-voltage power supply.
- Bilateral multifunctional armrest.
- Twin wheels diameter 150 mm with independent brake.
- No.8 stainless steel DIN bars that can be equipped with a wide range of accessories.
- Non-reflecting coating with thermosetting powders.
- A dedicated software allows an easy handling of the movements.
- Equipotential node.
- No.2 rechargeable and removable batteries. They grant a h24 operativity to the device.
- Charger included.
- Knobs for transport located on the leg section.



**HEADREST**  
ACCESSORY CODE ACS1



**CONTROL PANEL**



**INDEPENDENT BRAKING SYSTEM**



**KNOBS FOR TRANSPORT LOCATED AT THE LEG END**



### Would you like to customize upholstery or frame?

Scan or click the QR code and discover how to customize the device consulting our colour chart.

## Control panel

The control panel installed on the device is intuitive and easy to use. Thanks to the pictograms depicted on the individual buttons, the surgeon can easily identify and operate the chair functions during his / her activities.

The panel is divided into sections, each of which allows the activation of specific functions, such as:

- Section dedicated to user **programmable memories**.
- Section dedicated to **preset memories**.
- Section dedicated to **movements**.



BATTERY STATUS INDICATOR



EXAMPLE OF A MEMORY SET POSITION



## Available memory positions

The operator can easily and intuitively program, according to need, 3 different position configurations, respectively with the buttons:

- **SET1;**
- **SET2;**
- **SET3.**

All position configurations can be recalled by pressing the dedicated keys in "push and go" or "push and stop" mode.

It is possible to interrupt the movement of the lying surface at any time. To confirm and modify the memory positions, use the **SAVE SET** button.





## Memory positions “PRESET”

4 frequently used memories can be activated in the ways through the control panel. “push and go” and “push and stop”.

### Memory 1 Entry and transport position



PERFECT AS ENTRYWAY, EXIT  
AND FOR PATIENT'S TRANSPORT.



### Memory 2 Egress position

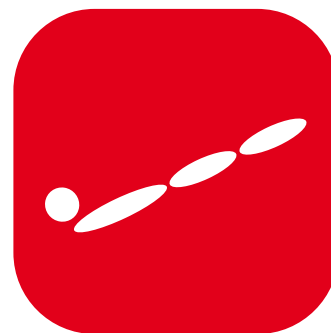


COMFORTABLE ASSISTED EXIT  
FOR PATIENTS WITH REDUCED MOBILITY.  
IT PROGRESSIVELY VERTICALIZES THE PATIENT.



### Memory positions "PRESET"

#### Memory 3 Trendelenburg / Anti-Schock



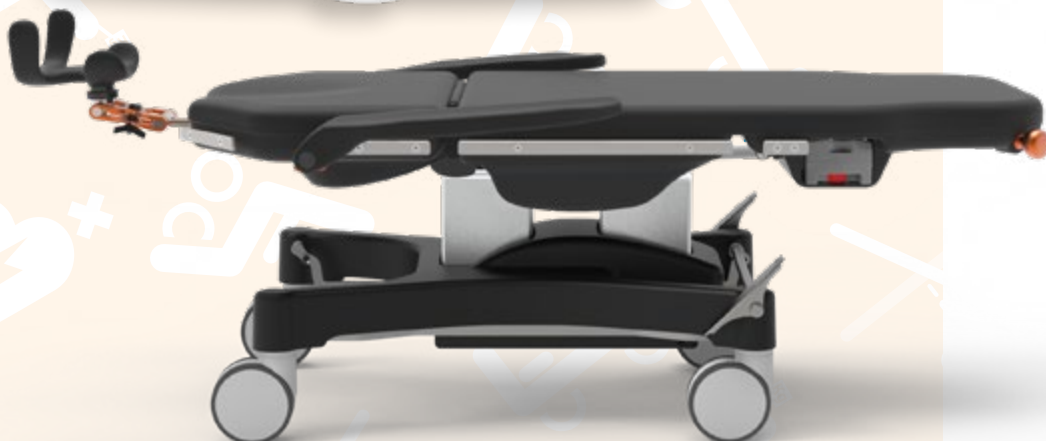
IT QUICKLY ACHIEVES THE PERFECT POSITION TO FAVOUR VENOUS RETURN



#### Memory 4 CPR



CARDIO-PULMONARY RESUSCITATION POSITION



### Movimentazioni motorizzate

#### Backrest adjustment



BUTTON FOR BACKREST ADJUSTMENT

#### Legrest adjustment

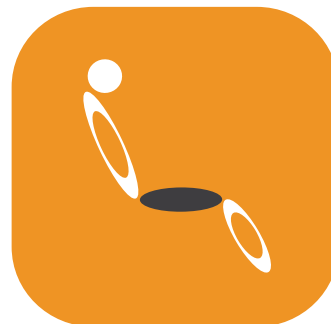


BUTTON FOR LEGREST ADJUSTMENT



Motorized movements

Seat height adjustment



BUTTON FOR LYING SURFACE'S HEIGHT REGULATION



Seat's inclination adjustment



BUTTON FOR SEAT'S INCLINATION ADJUSTMENT





## Headrest movement and adjustment



Multi-adjustable headrest section for surgery.

The head support can be set between different angles for a correct position of the head during the operation.

It has a unique locking system, which locks both pins using a cam lever.

The different types of headrests are interchangeable thanks to a quick coupling without the use of any tools (see accessories catalog).



THANKS TO THE LEVER LOCATED IN THE MIDDLE OF THE "X" MECHANISM, IT IS POSSIBLE TO ADJUST THE INCLINATION AND THE ANGLE OF THE HEADREST IN AN EASY AND STRAIGHTFORWARD WAY



## Armrest

Anatomical armrests in PU rubber with metal core. They follow the movement of the backrest. They can be folded down to facilitate patient entry. Completely removable to facilitate patient transfer to another device. The external regulation facilitates vascular access.



TILTABLE ARMREST TO FAVOUR PATIENT'S ENTRY FROM THE SIDE



REMOVABLE ARMREST



OUTWARD REGULATION TO FAVOUR VASCULAR ACCESS

### Continuous operational autonomy

The surgical chair is equipped with two rechargeable and interchangeable batteries, with charger included. As the batteries can be changed, permanent autonomy is fully ensured. A luminous and acoustic warning will light up in case of low battery condition. The device can be powered also through the electric grid.



PLUGGED BATTERY



REMOVED BATTERY  
Extremely easy to remove

## Foot controls

### Basement option

The foot controls on the module, according to the surgeon's needs and the type of operations to be performed, allow the adjustment of the inclination of the head section and the inclination of the head section, seat section, back section and leg section.

#### ACS5

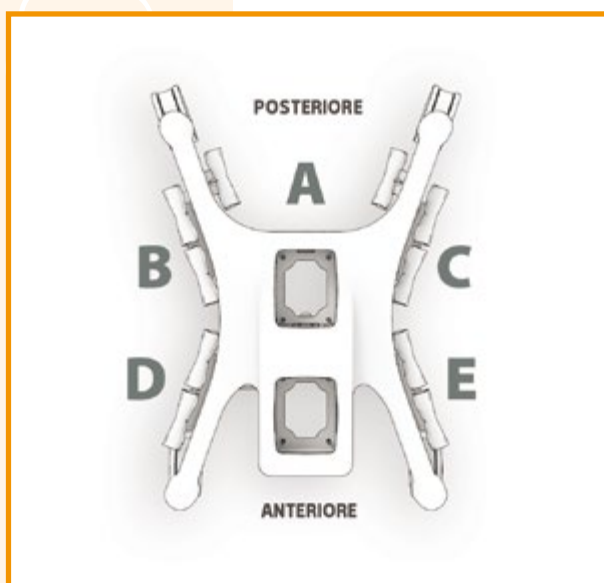


Foot controls for height adjustment and seat inclination. To be placed on the base of the device in a rear or lateral position. Couple.

#### ACS6



Foot controls to adjust the inclination of the back section and the inclination of the leg section. To be arranged on the base in the rear or lateral position. Couple.



The pedals are available in pairs and the functions can be combined with up to 3 pairs of pedals to be requested when ordering.

The pairs of pedals (depending on the required number 1, 2 or 3) can be arranged on the base in the following fixed positions:

- Accessory code ACS5, positions A, B, C, D, E (rear or side).
- Accessory code ACS6, positions A, B, C, D, E (rear or side).
- The same pedals can also be on the floor - see page 13.



## Rotary support

To increase the ease of use of the foot controls, the Theia 1.0 medical device can be equipped with a rotating support in stainless steel (accessory code ACS36) which houses up to 3 pairs of pedals.

This system allows the surgeon to access the pedals from all sides turning them to the right, to the left or to the backrest side.



## Foot controls

### Floor option

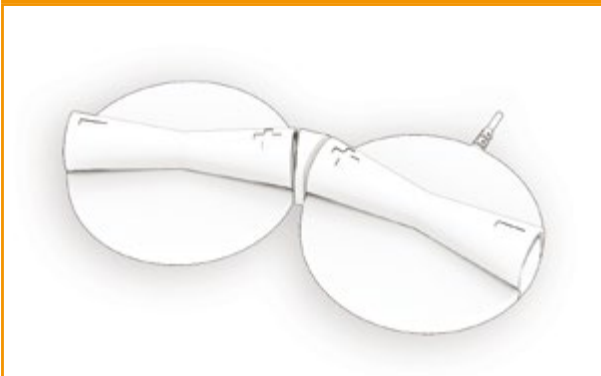
The same pedal controls already predisposed and fixed to the base, can also be placed on the floor and therefore subject to a subjective allocation. The floor control is also available in the wireless version (accessory code ACS5 / 3).

#### ACS5/1



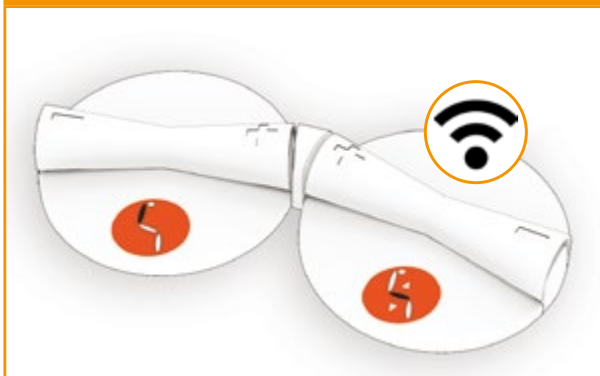
Pedal on the floor for height and inclination adjustment of the seat. Couple.

#### ACS6/1



Pedals on the floor, to adjust the inclination of the backrest and the inclination of the legrest. Couple.

#### ACS5/3



Pedal on the floor with wireless controls for height and inclination of the backrest. Couple.

## Headrest

Given that one of the following headrests is supplied with the Theia 2.0 device (if none are preferred, the ACS1 code will be provided), other models identified with the codes ACS1, ACS2, ACS3, ACS4, ACS4 / 1 are also available. paediatric models are also available ACS1P, ACS2P, ACS3P. The headrests are all interchangeable thanks to a quick coupling system (without the use of tools).

### ACS1



Occipital headrest. Designed to support the patient's head and prevent back or lateral falls. Available also in paediatric version ACS1P.

### ACS2



Nuchal headrest. Available also in paediatric version ACS2P.

### ACS3



"X" shaped headrest. Available also in paediatric version ACS3P.

### ACS4

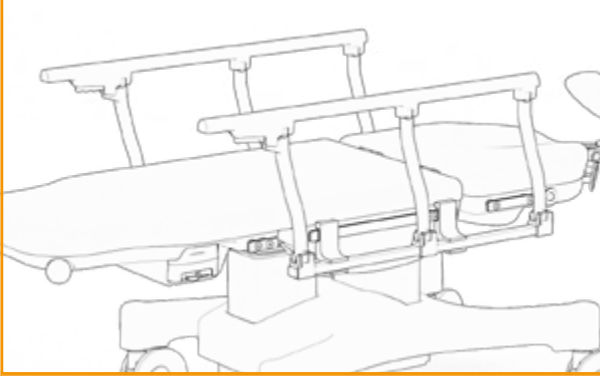


Head section on DIN bar with face hole equipped with closing cap with angle adjustment of 0°-15°.

### ACS4/1



Synchronous head section with face hole, bilateral regulation from -15° to +15°. Available with head strap (ACS37) and chin strap (ACS38).

**ACS7**

Bilateral side rails on DIN bar. Lightweight side rails, washable, adjustable and collapsible. Easy to remove.

**ACS8**

Hand surgery table on DIN bar. Available with 2 clamps to fix the support on the DIN bar. Extremely resistant and easy to use. Radiolucent. The fabric is water repellent, non-toxic, antibacterial and high resistant to biological liquid and disinfectant.

**ACS8/1**

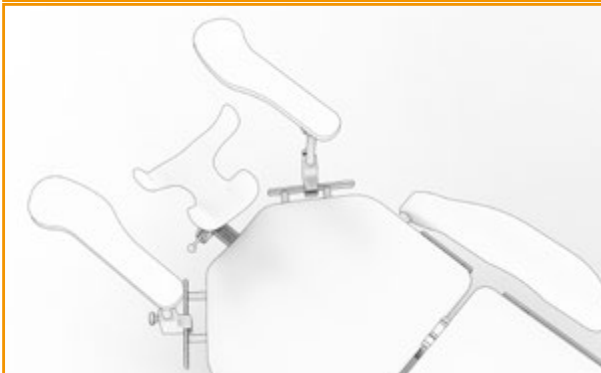
Hand surgery table on DIN bar with stand support. Available with clamp and adjustable in height in order to be placed at any height of the tabletop. The fabric is water repellent, non-toxic, antibacterial and high resistant to biological liquid and disinfectant.

**ACS8/2**

Support on DIN bar for humerus surgery with stand support. To be used with patient in prone position. To be fitted onto backrest of the device for humerus surgery.

**ACS9**

Support on DIN bar with band to immobilize upper limb.

**ACS10**

Couple of wrist support for the surgeon.

## ACS12



Fifth directional wheel with mechanical pedal insertion. It gives more stability and direction to the device during patient transport from one department to another. It facilitates pushing and driving, reducing the effort required to move.

## ACS11



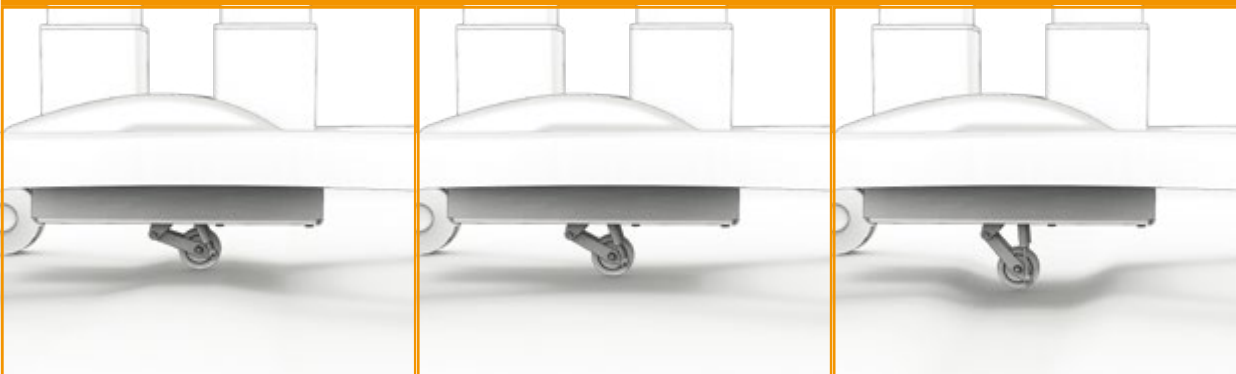
Transport handles on DIN bar. Compatible with low backrest. It ensures an easy transport of the patient both in chair configuration and in bed configuration.

## ACS14



Multifunctional armrest on DIN bar. Adjustable in height, swivelling, reclinable, tilting, easily removable. It is intended to be an alternative to the standard armrest.

## ACS13



Fifth swivel wheel without pedal, non-retractable (fixed on the floor). It gives more stability and direction to the device during patient transport from one department to another.



**ACS15**

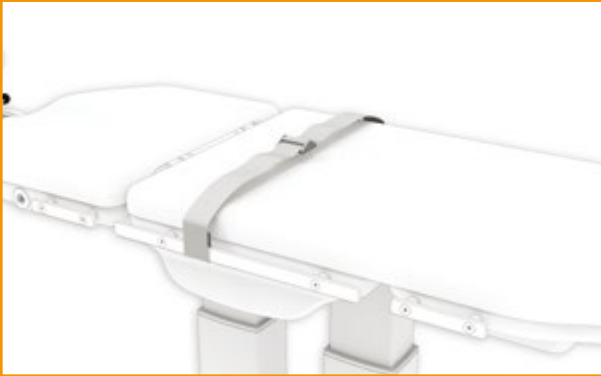
Control panel attachment on DIN bar. The pole is flexible and can be adjusted according to surgeon's needs.

**ACS16**

Flexible support for tent. Available with two clamps. To be used during surgery in the operating room in order to protect and cover the patient.

**ACS18**

Occipital pillow for headrest.

**ACS19**

Body strap on DIN bar. Fixingsystem to allow the immobilisation of the patient during surgery. Adjustable in length according to patient's size.

**ACS20**

Extra padded cushion on DIN bar to enlarge the seat section. It increase the table top surface allowing the patient to comfortably lay on the side.

**ACS24**

Table on DIN bar. Available with clamp, it is designed to place the tools needed for surgical operations.

**ACS25**

Universal stainless steel DIN clamp to attach accessories with radial setting. It has a single knob that allows both fixation of the accessory and clamp fixation onto the side rail.

**ACS26**

Air flexible rod. Quick oxygen intake for ophthalmic surgery. Flexible pole that can be fixed on DIN bar on the backrest section to direct the air flow on the patient's face.

**ACS27**

One padded cushion for table top. The table top has an upholstery consisting of one piece cushion, without any interruptions.

**ACS30**

Oxygen tank holder on DIN bar. It can be placed on several points of the device thanks to a quick fitting on DIN bar. Up to 7 kg.

**ACS32**

Additional radiolucent cushion. It allows to perform radiography, using X-ray plates, on each anatomical areas.

**ACS33**

Stainless steel IV pole on DIN bar. Available with 2 or 4 hooks.

**ACS34**

Headrest holder trolley

**ACS35**

Accessories' holder trolley with DIN bars

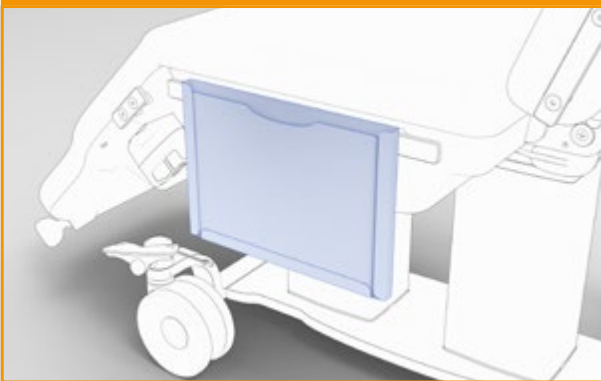
**ACS37**

Hairband compatible with ACS4/1.

**ACS38**

Chinrest compatible with ACS4/1 headrest.

## ACS40



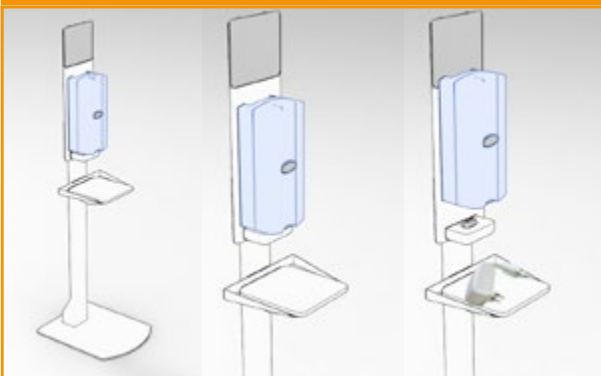
Folder on DIN bar

## ACS41



Vassoio porta monitor rimovibile.

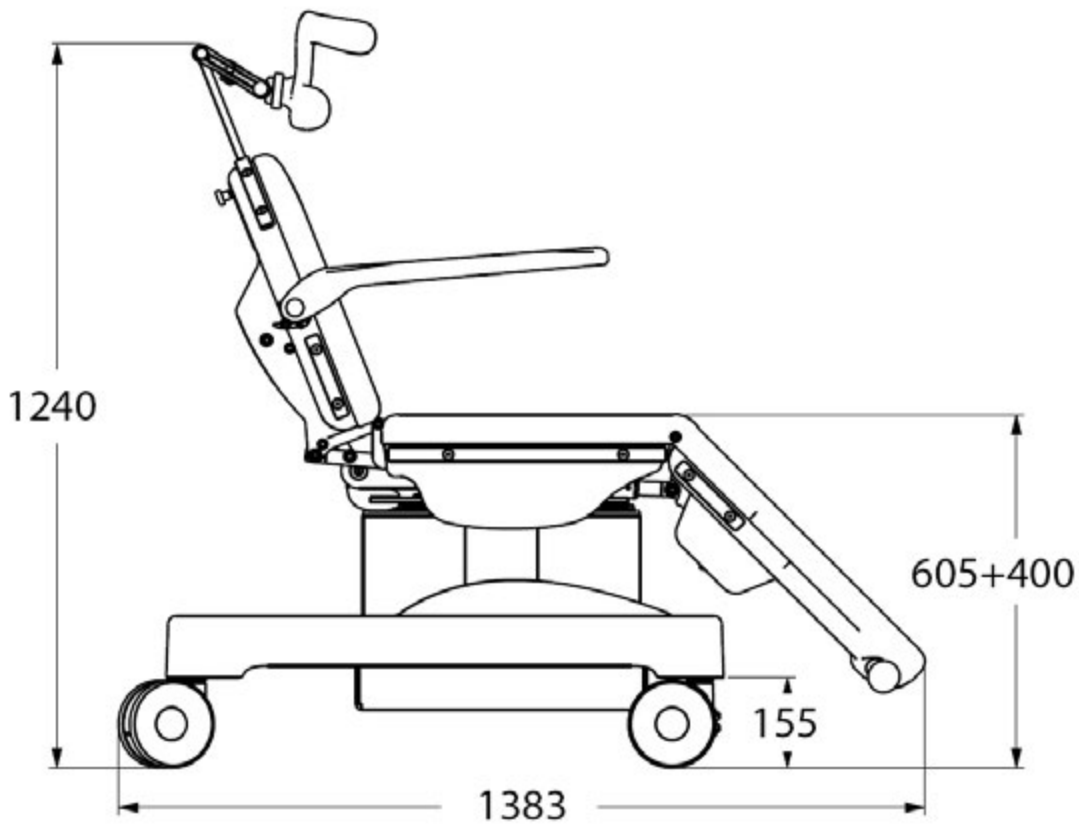
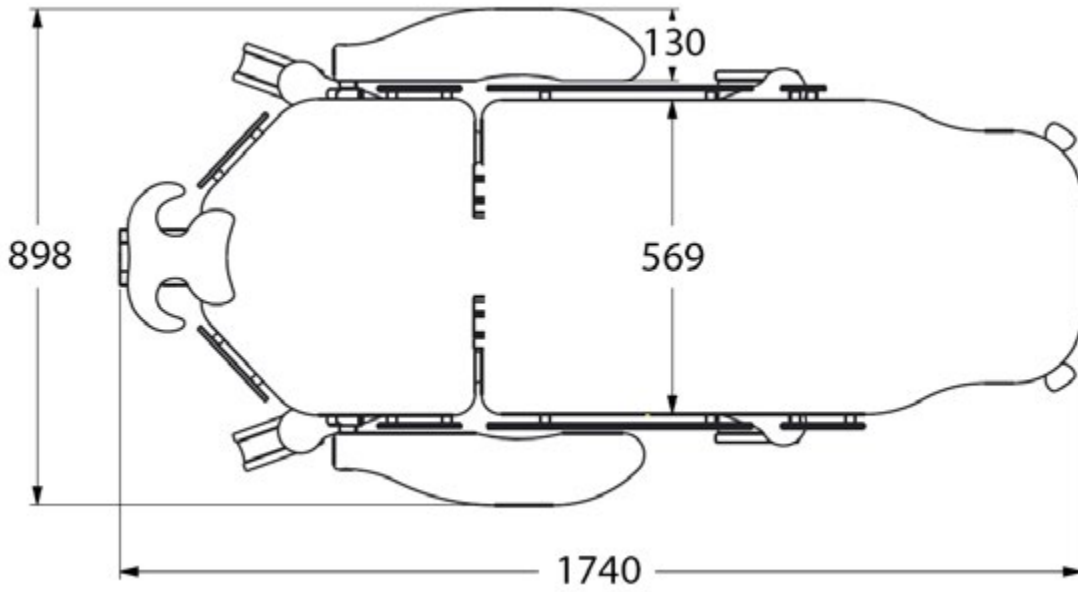
## AC159



Column stative in painted steel for charger with support.



# Dimensions



## MAIN CORD



Type F - Schuko



Type L - 16A



Type I - Australia

Type B - Canada  
and USA

Type G - UK plug

## Technical sheet

GMDN Code	<b>38447</b>
Product ID	<b>GB0210.SP</b>
Intended use	Surgery chair
Manufacturer	GARDHEN BILANCE SRL
Total weight	120 kg
Type of control	Control panel
Wheels	Stainless swivel 4 wheels Ø 150 mm with braking system
Power	100-240 Vac 50/60 Hz
Battery power	24v - 4.5A
Electric motors	Low voltage 24 (Volt)
Max electrical input	480 VA
Insulation	IP44
Max load	300 kg
Safety working load	335 kg
Backrest angle	76°
Legs angle	50°
Leg angle	50°

For certifications please refer to "Certifications and Quality system" section

Pictures contained in this brochure is for illustrative purpose only. The manufacturer reserves the right to modify the projects without notice. For accessories identification please refer to the accessory catalogue or commercial offer. When data are different please refer to commercial offer.

Dep. EN\_309 rev. 01/09/2022

