

9

Bed accessories

Bed accessories

1



Available accessories for beds and scale beds:

Hospital beds:

ALEX HOSPITAL

OSCAR

MOSE

BRADY

ANTARES

Hospital beds with integrated scale:

ALEX

DANIEL

RUBENS

PASCAL

DAVIDE

AC1



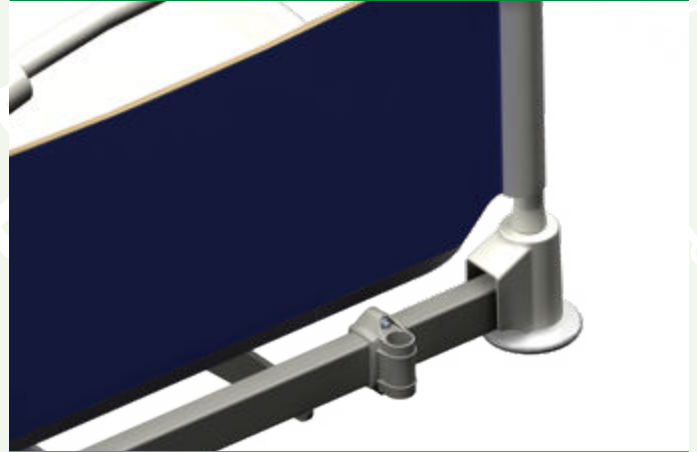
Anticramp footrest/bed shortener.

AC3L



Bilateral bag holder hooks.

AC4L/S



Predisposition for IV pole.

AC4L



Removable IV pole (dripstand) adjustable in height with 2 or 4 hooks.

AC4/2



V pole (dripstand) on wheels.

AC5L



Twin wheels Ø 150 mm.

AC7L1G - AC7L1S



Braking system on two axis with directional system. Activated through pedals located on the back and on the front.

AC7L2G - AC7L2S



Centralized braking system with directional system. Activated through pedal located on the back.

AC8L



Bilateral backrest quick release

AC10L



Motorized Trendelenburg for non-adjustable in height beds.

AC14L



Stainless steel toolrest on side rails (accessory code AC21 and AC71).

AC15/PLUS



Side table with double support.

AC15/TOP



Side table on wheels that can be moved from a place to another. It can be placed near the patient lying surface as the base can be easily inserted under the bed. Functionalities: Interchangeable, swivable, it can be turned according to user's need, tiltable for reading desk, adjustable in height via gas spring. Max load 10kg. Size 420x570mm. Compatible with AC105L.

AC17L



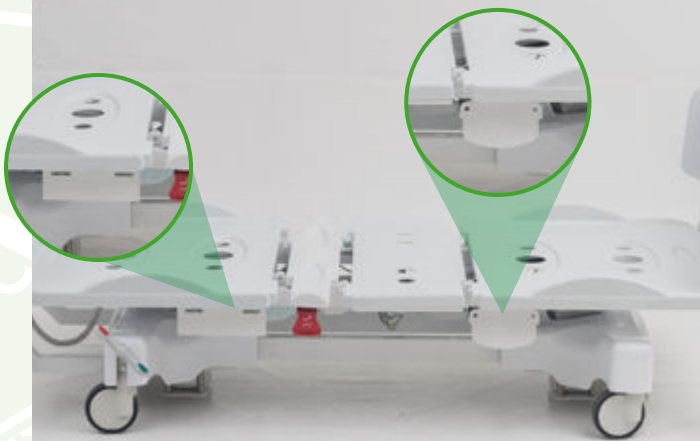
Motors battery box. It provides power supply to the device for almost 10 hours.

AC20



Removable side rails couple with quick coupling. Made out in lightweight pipe painted with thermosetting powder.

AC20/S - AC21/S



AC20/S: Predisposition for side rails.
AC21/S: Predisposition for collapsible side rail (compass).

AC21



Collapsible side rails (compass).

AC22



Reclining Monitor/writing table.

AC24



Trolley for transport of Katia weighing system.

AC26

Weight control routine that emits alarms for dialysis session

Alarms for dialysis session.

AC30L



Multifunctional armrest.

AC32L



Courtesy light.

AC34L



Handset inhibition device.

AC41



Thermal printer (only for beds with integrated scale).

AC43L



Patient lifter in steel pipe with high thickness painted in thermosetting powders. Fitted to the bed through a dedicated support. Handle in technopolymer adjustable in height.

AC44/1



Mattress flex comfort trevira®. Other models available in our pricelist.

AC45/1



Pillow polisoft trevira®. Other models available on our pricelist.

AC46



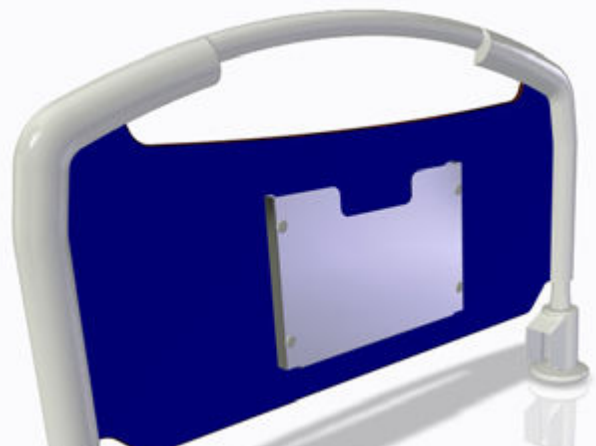
Medical record folder (A3) with opaque privacy panel.

AC46/1



Medical record folder (A4) with opaque privacy panel.

AC46/2



Medical record folder (A4) with opaque privacy panel on AC65 panel.

AC48



TV colour 24"/28" fitted to the bed through dedicated swivable support.

AC48/SL



Swivable support for TV colour LCD.

AC48/PL



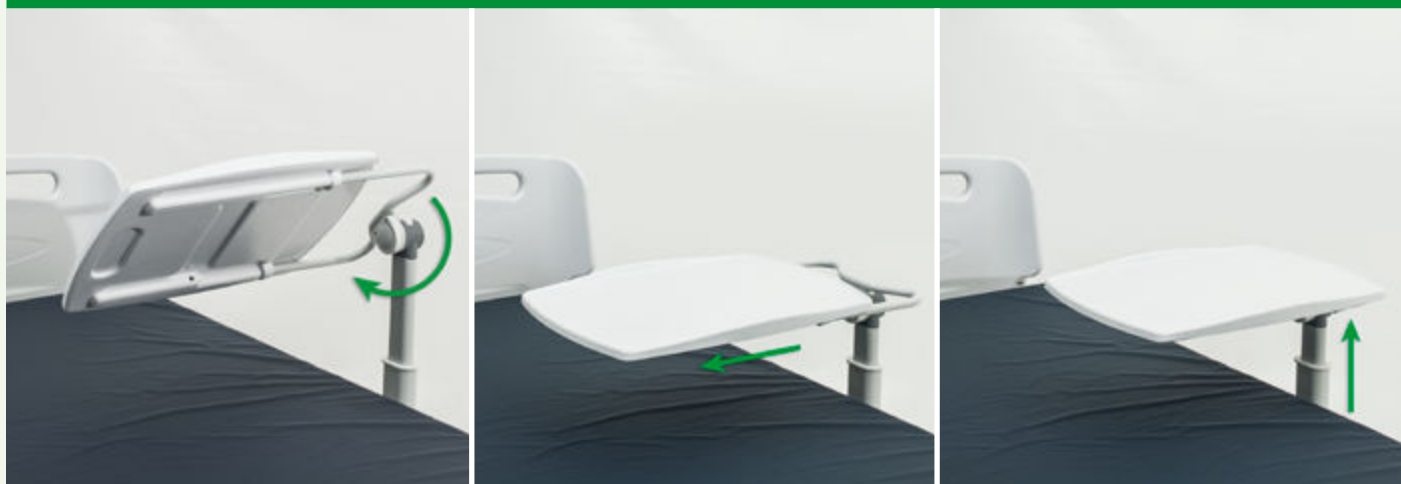
Predisposition for AC48SL TV colour LCD attachment.

AC50L



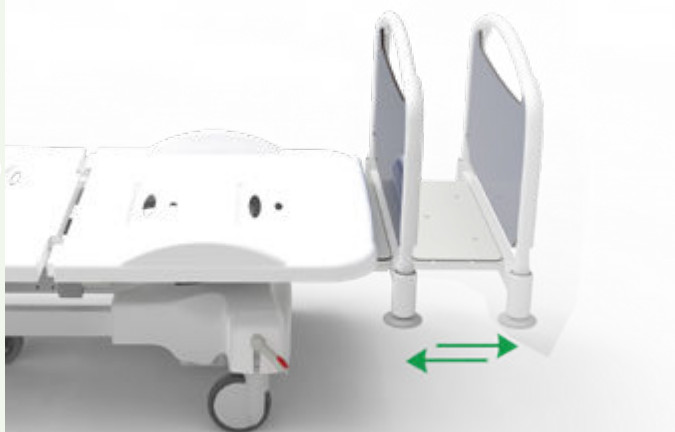
Cable support.

AC55L



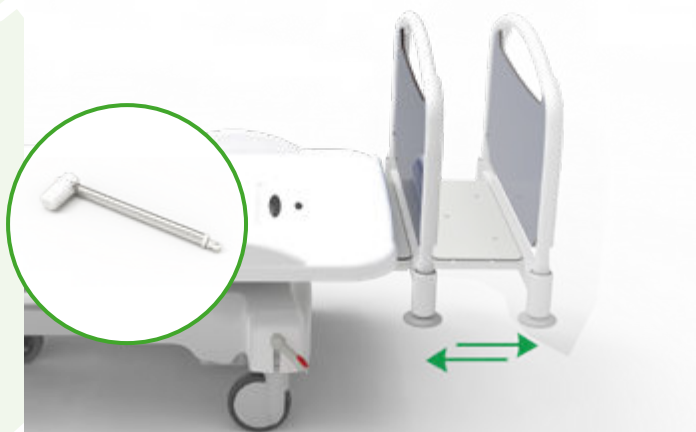
Integrated removable side table. Max load 10Kg. Dimensions 420x550mm.

AC61



Manually adjustable bed extension 170mm.

AC61/1



Motorized bed extension 170mm.

AC61/2



Extra mattress for bed extension AC61 and AC61/1.

AC61/3



Manual bed extension 400mm (paediatric version).

AC61/4



Motorized bed extension 400mm (paediatric version).

AC62



Accessory for the roto-translation of the backrest to limit abdominal compression and avoid the sliding of the patient.

AC65



Head and foot removable HPL panels in technopolymer. Available in blue and white colour.

AC65/2



Head and foot removable HPL panels in shaped technopolymer (Polyethylene).

AC65/3



Head and foot removable HPL panels in shaped technopolymer (Polyethylene).

AC65/4



Head and foot removable HPL panels steel and HPL shoulders for batriatica version bed.

AC68/3



Operator control panel for handle the movements and the presetted memories.

It is normally attached to the foot board and it carry out the following functions:

- movements: Backrest, femoral, autoconture, height adjustment, Trendelenburg and reverse Trendelenburg;
- enabling and partial or total inhibition of patient's handset;
- memory button for automatic positioning for carry out the cardiopulmonary resuscitation procedure (CPR);
- memory button for automatic positioning at the optimal condition for the preparation of the bed to assist the patient in normal conditions of use;
- memory button for Trendelenburg position;
- memory button for the auto-conture condition (chair position).

AC68/4



Internal side rail control panel for patient on AC71.

AC68/5



External side rail control panel for nursing staff on AC71.

AC68



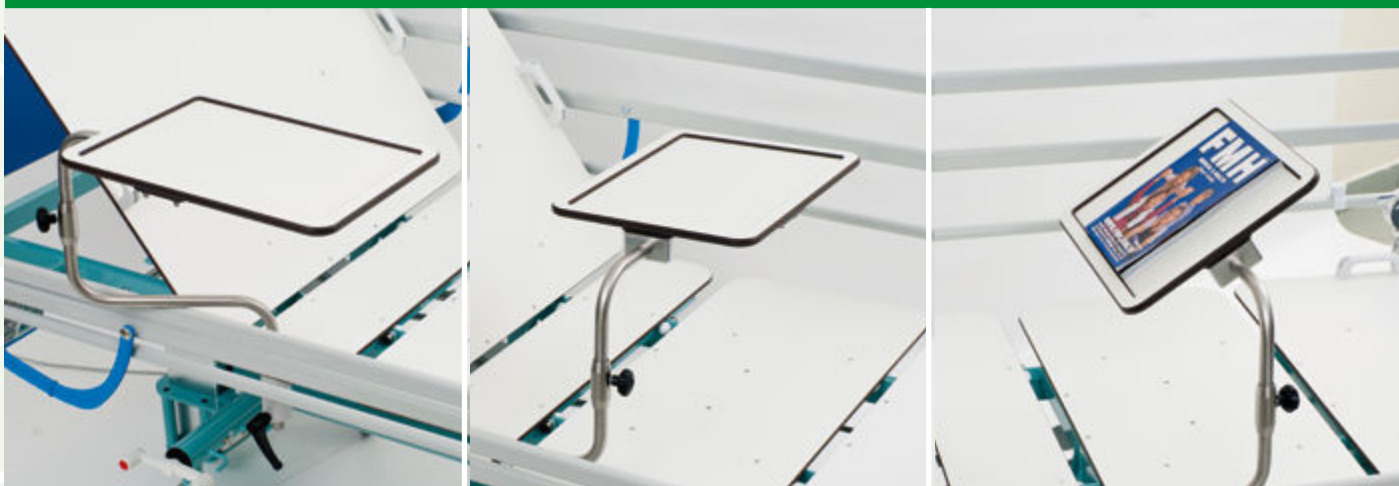
Supplementary handset.

AC71



Half side cot (foldaway).

AC81L



Stainless steel side table, jointed and removable. Dimensions 280x380mm.

AC90



Mattress cover.

AC94L



Wireless calling system with calling button included.

AC95L



Oxygen holed.

AC95L/1



Adjustable oxygen holder.

AC95L/1



AC95L/2



AC95L/1 - Foldable oxygen holder.
AC95L/2 - Foldable oxygen holder capacity 5 l.

AC96L



Supplementary wireless calling button for AC94L.

AC97



Bedpan support.

AC98



Urinal recipient support.

AC100L



Acoustic alarm for brake disconnection.

AC101L



Light alarm for brake disconnection for hospital beds - white LED light

AC102L



X-ray cassette with radio-transparent backrest section.

AC104L



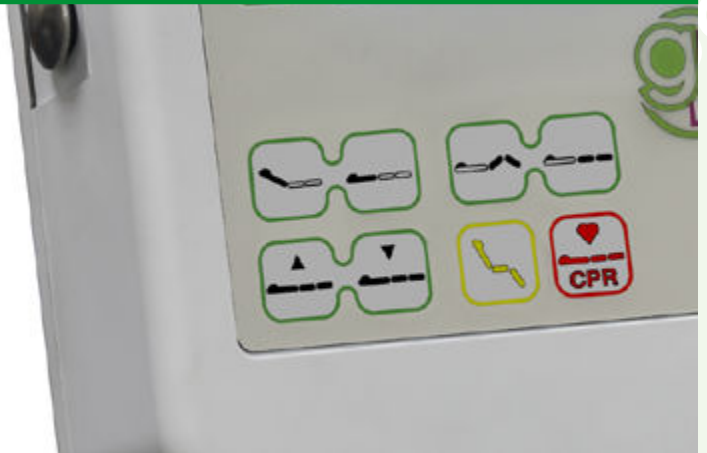
Two-faced bedside cabinet, drawers and doors in plastic materials.

AC105L



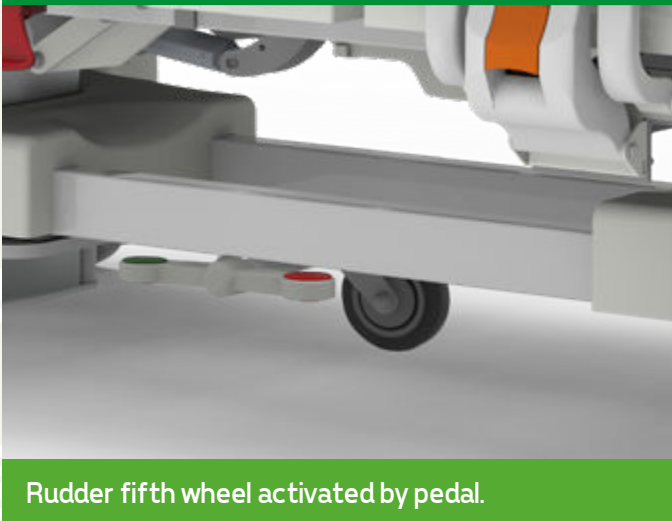
Two-faced bedside cabinet, drawers and doors in plastic materials with embedded side table.

AC115



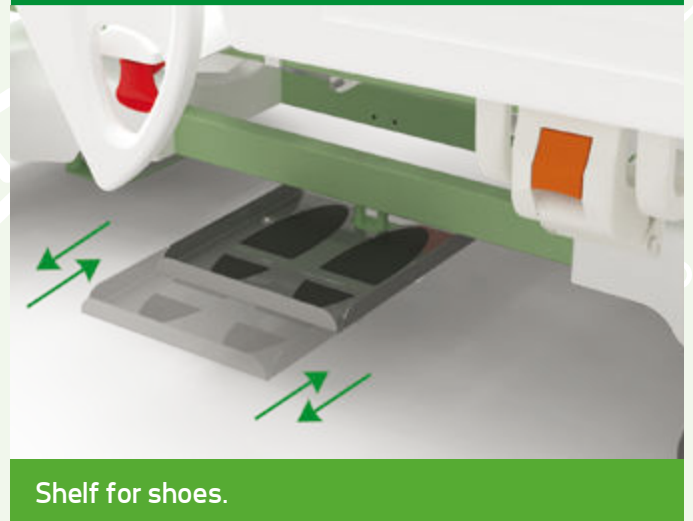
Enable keyboard on fly plus scale display for handling operations, with dedicated software. It includes controls for the movements of back section, leg section, height adjustment + 2 memories (CPR and entry position).

A118L



Rudder fifth wheel activated by pedal.

AC131



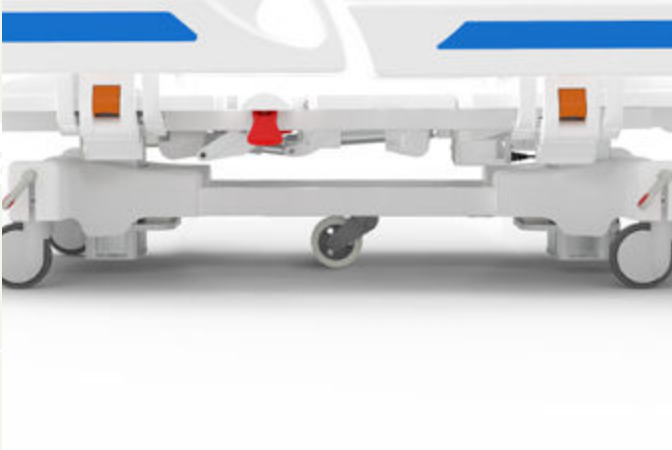
Shelf for shoes.

AC121



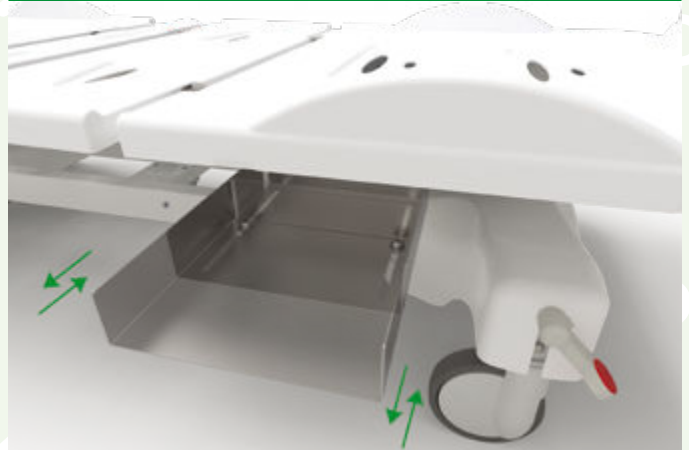
Head and foot panels safety lock compatible with both AC65 (left photo) and AC65/3 (right photo).

AC129L



Swivable, shock absorbing and auto-levelling fifth wheel in polyurethane. Max load 350kg.

AC140L



Clothes/linen tray.

AC143L



Ethernet - LAN port on Fly plus display.

AC147



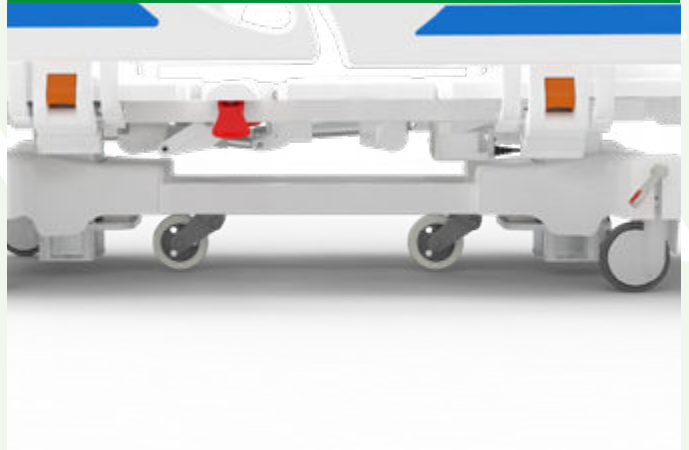
LED night light colours: light blue - green - white.

AC148



Drainage holder on din bar

AC149



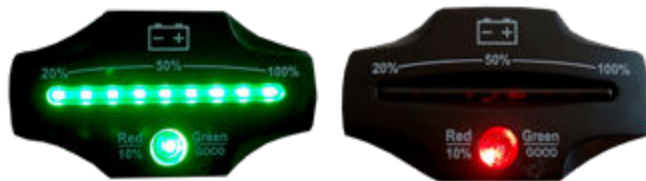
Transport servo-assisted system.

AC151



Bed base and extensible shoulders for bariatric Daniel / Mosè

AC158



Battery backup status indicator for bed.

AC161L



Housings for containment straps.

AC162L



Light indicator of minimum height

AC164



Swivable display box 90° for beds with integrated scale.

AC165



Patient removal alarm.

AC166



Call button down.

AC175



Foot control arranged on the bed frame

AC175



Foot control arranged on the bed frame